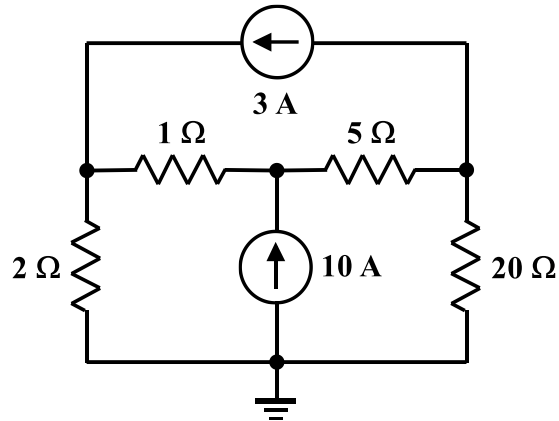


EE 2240

**Homework Problem #018**

Assign node labels and express the node equations in the matrix form discussed in class.



Do not attempt to solve the equations.